

Nets

①

Draw an accurate net for the **cuboid** sketched below.

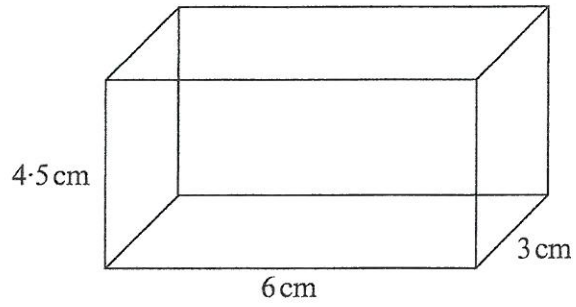
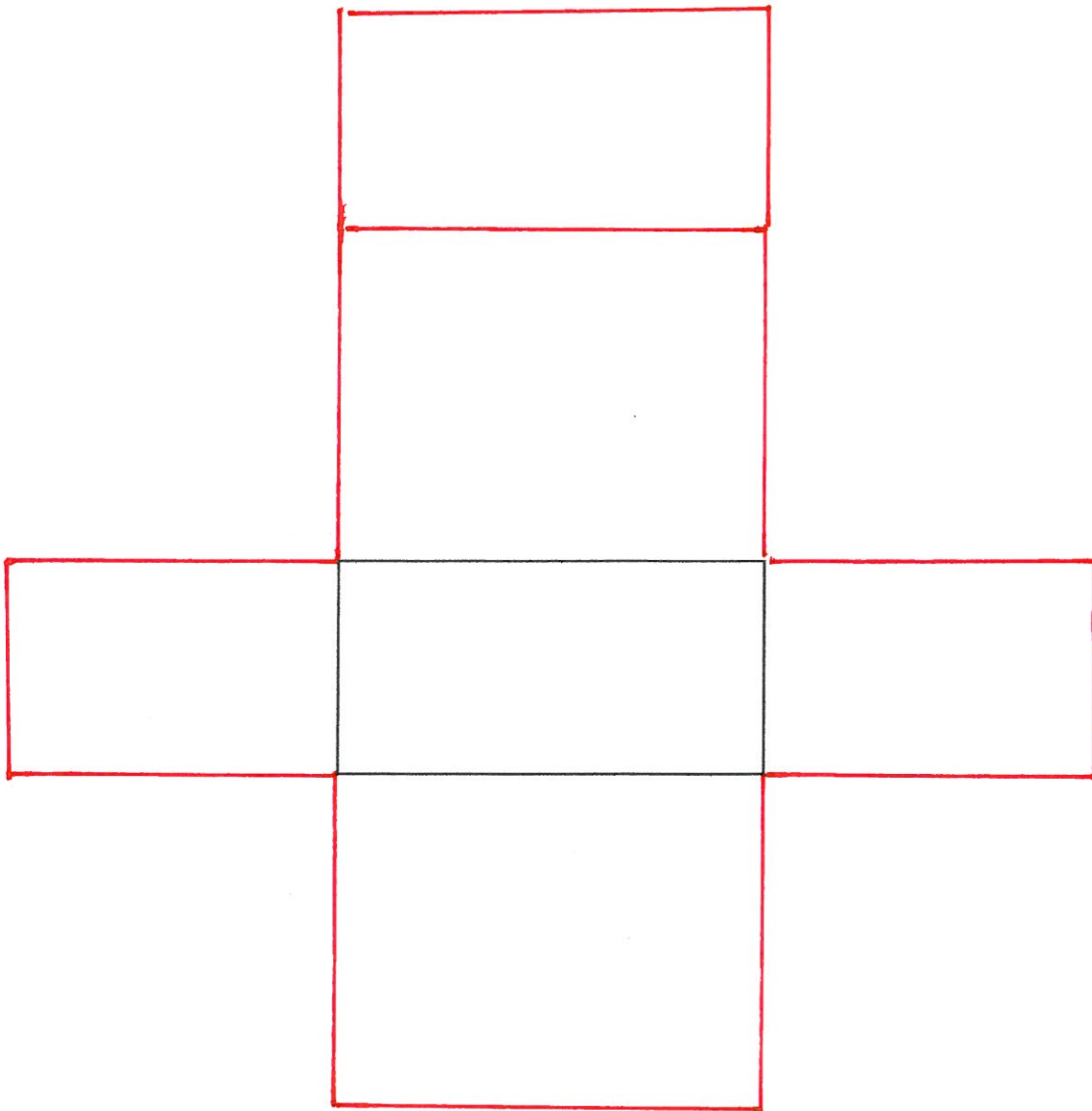


Diagram not drawn to scale

The base, measuring 6 cm by 3 cm, has been drawn for you.



Examiner
only

[4]

2

Draw an accurate net for the **triangular prism** sketched below.

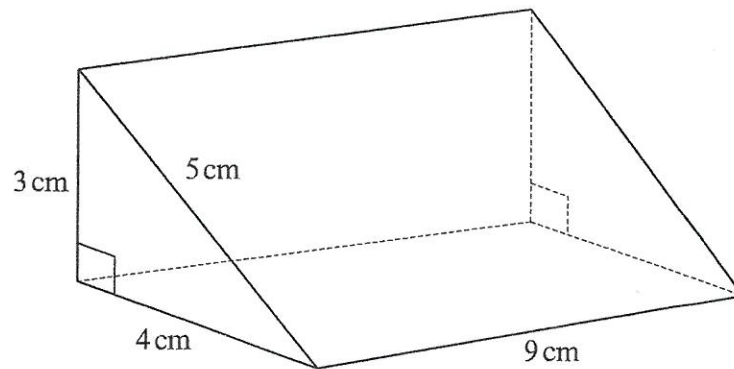
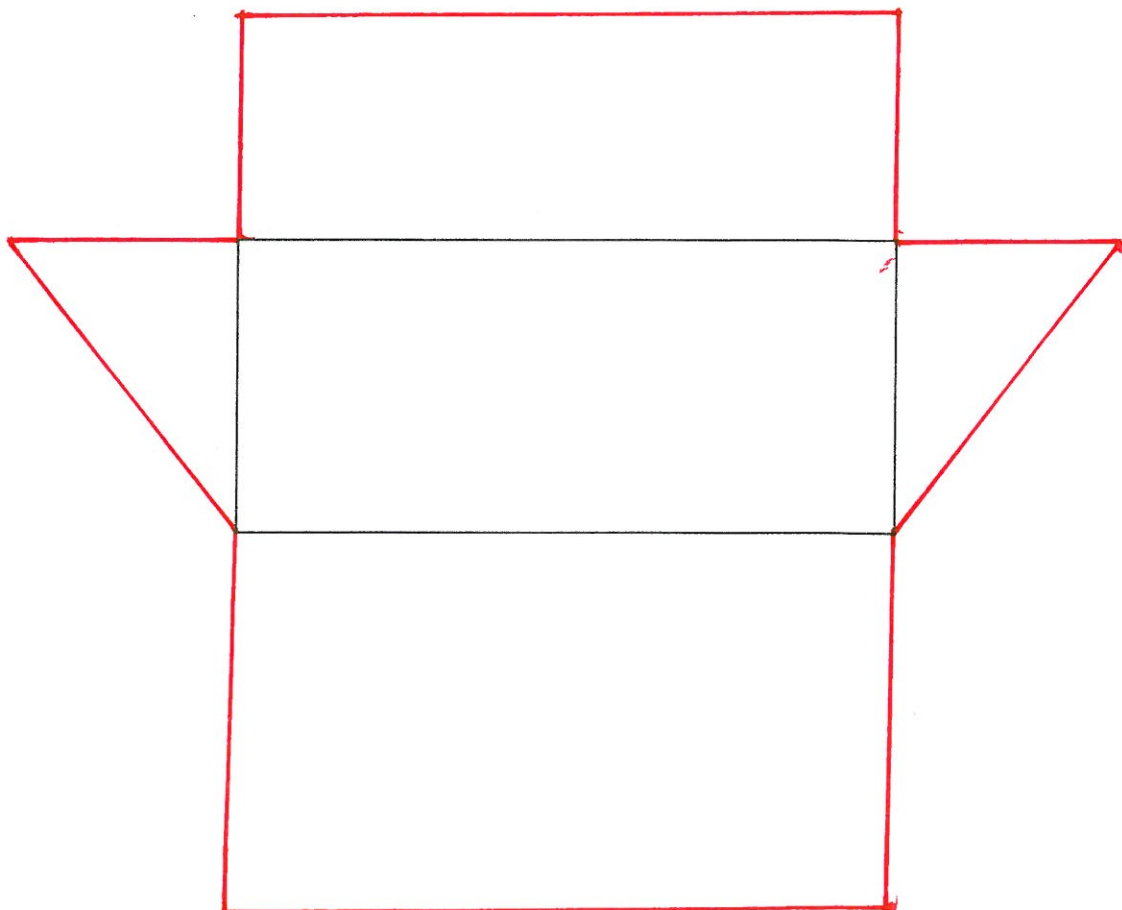


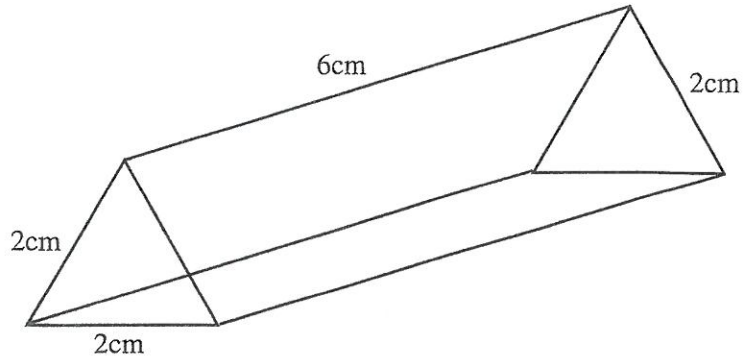
Diagram not drawn to scale

The base, measuring 9 cm by 4 cm, has been drawn for you.

[4]

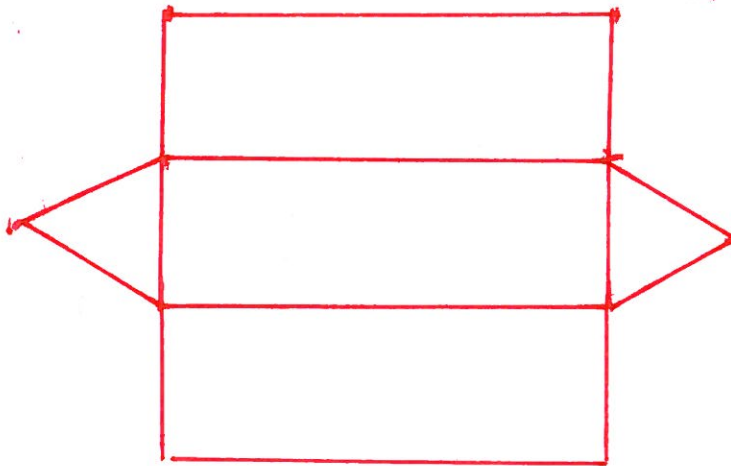


63



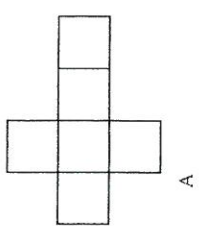
Draw, accurately, the net of the above triangular prism.

[3]

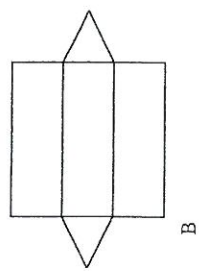


4

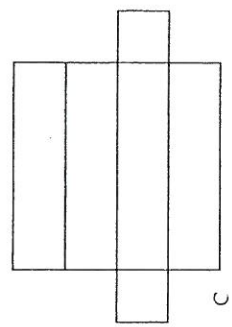
(a) The following are nets of solids.



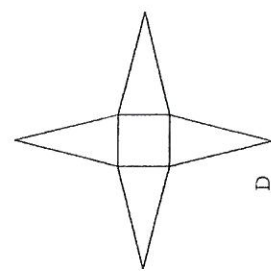
A



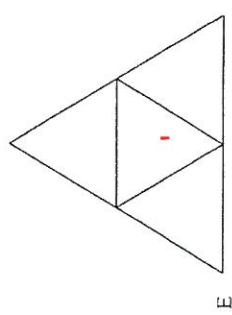
B



C

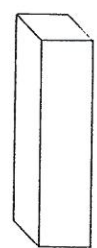


D



E

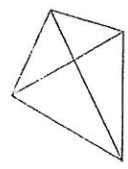
Which of these nets match the solids shown opposite?



(i)

Net

C



(ii)

Net

F



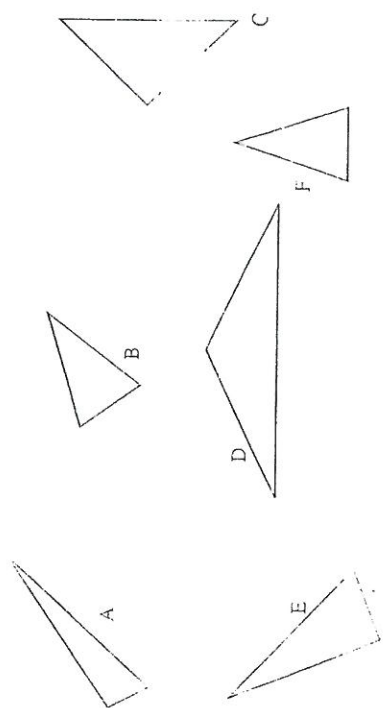
(iii)

Net

B

[3]

5



IDENTICAL

Which of the above triangles are congruent?

B & F

[1]