

AREA & PERIMETER

①

(a) Calculate the area of the following triangle.

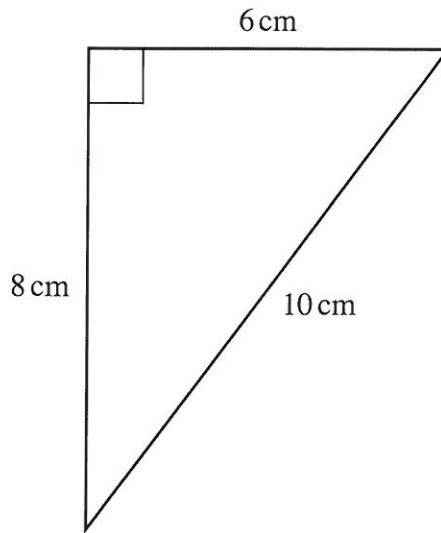


Diagram not drawn to scale.

.....

.....

.....

[2]

(b) Calculate the perimeter of the shape shown in the diagram below.

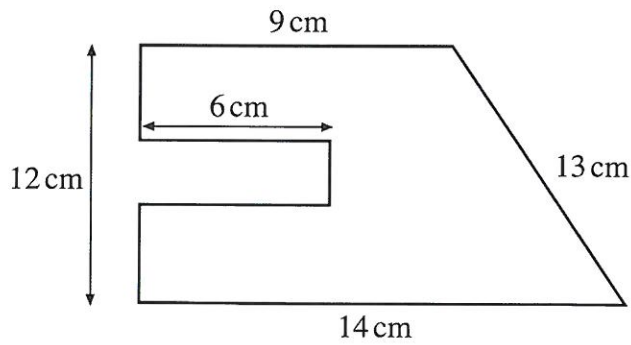


Diagram not drawn to scale.

.....

.....

.....

.....

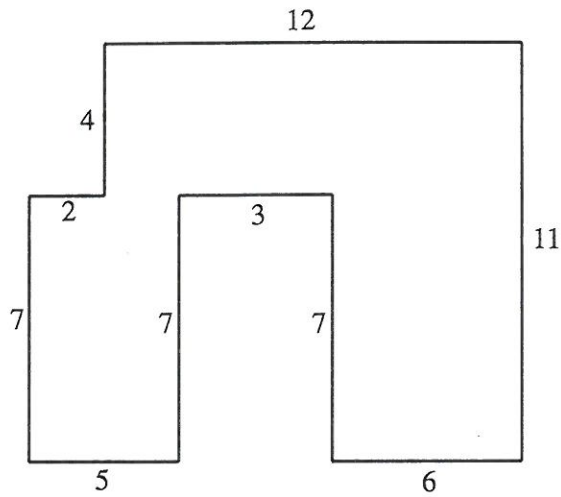
.....

.....

[2]

2

In the diagram below, lengths are shown in centimetres. The angles are right-angles.



(a) Calculate the area of the shape, clearly stating the units of your answer.

.....

.....

.....

.....

.....

.....

[2]

(b) Calculate the perimeter of the shape, clearly stating the units of your answer.

.....

.....

.....

.....

[2]

3

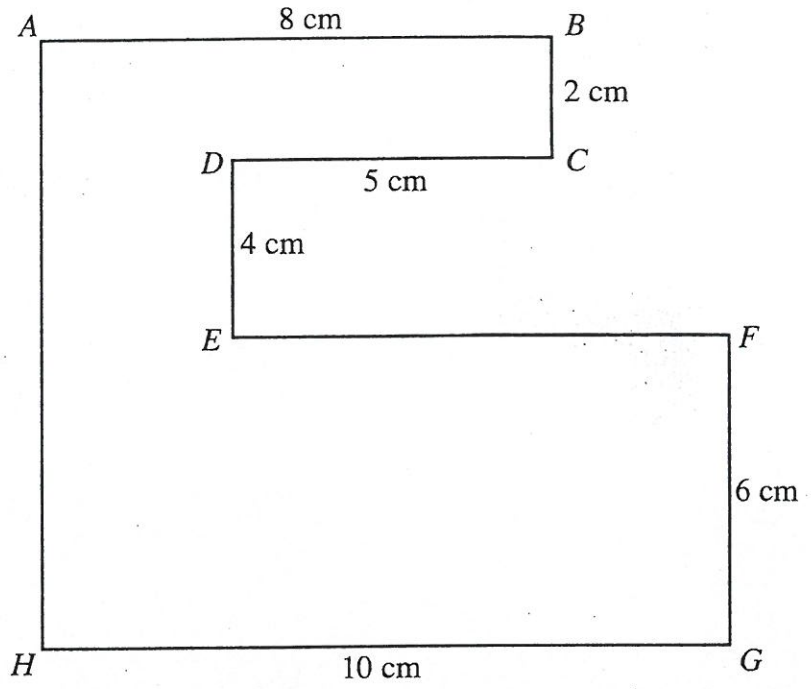


Diagram not drawn to scale.

(a) Calculate the perimeter of the shape *ABCDEFGH* stating clearly the units of your answer.

.....

.....

.....

.....

[2

(b) Calculate the area of the shape *ABCDEFGH* stating clearly the units of your answer.

.....

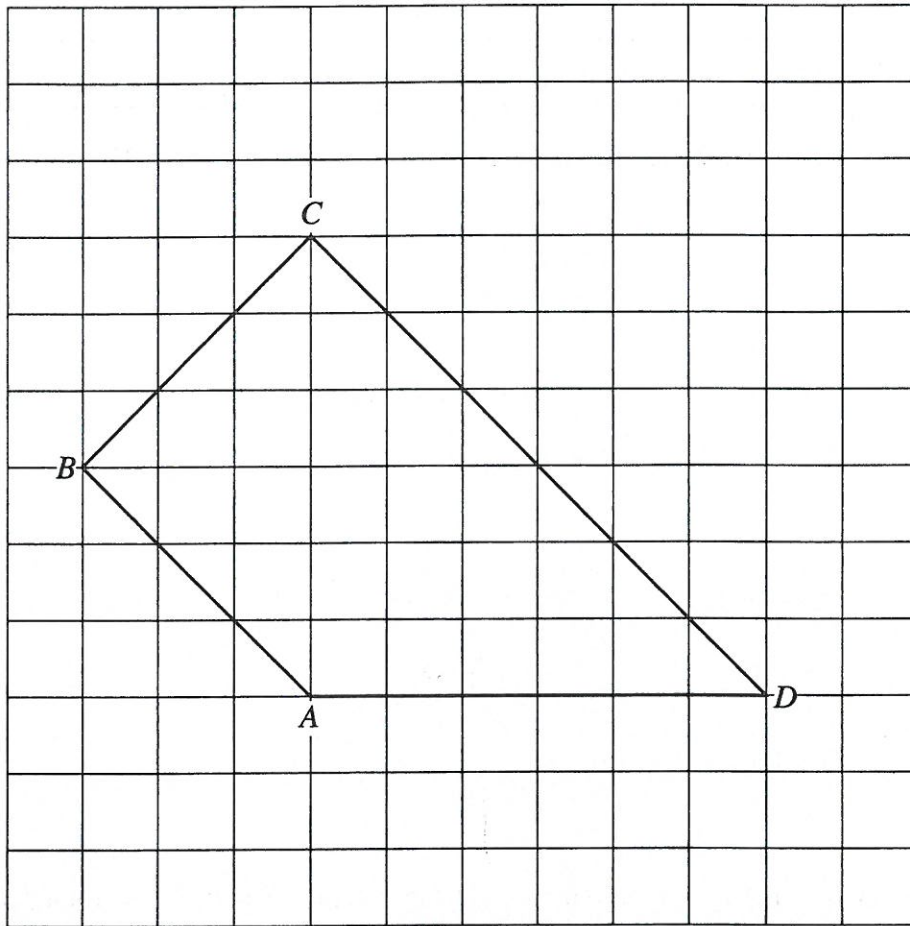
.....

.....

[3

4

The grid is made up of 1 cm squares. Find the exact area of the shape $ABCD$.



.....

.....

.....

.....

.....

.....

.....

.....

.....

5

(a)

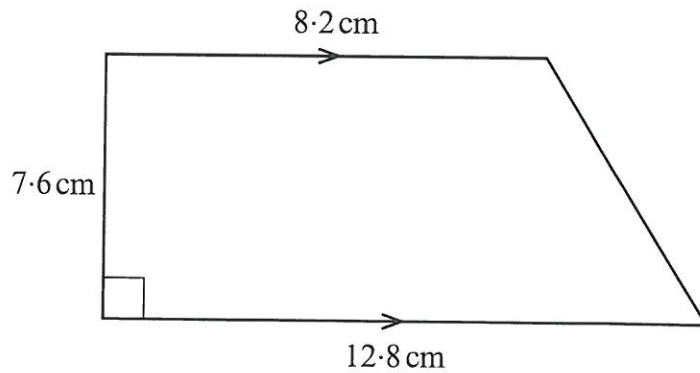


Diagram not drawn to scale

Calculate the area of the trapezium.

.....

.....

.....

.....

.....

[2]

6

A trapezium $ABCD$ is such that AB is parallel to DC , $AB = 23$ cm, $DC = 17.5$ cm and the perpendicular distance between the parallel sides is 6 cm. Calculate the area of the trapezium, stating clearly the units of your answer.

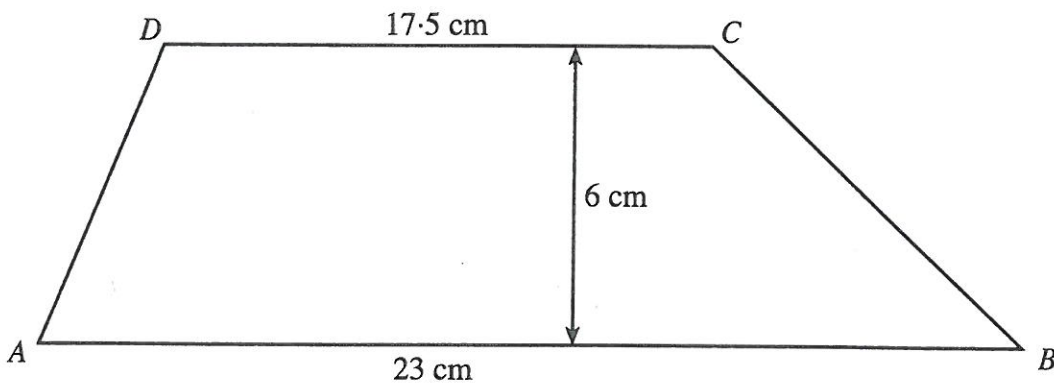


Diagram not drawn to scale.

.....

.....

.....

.....

.....

.....

.....

.....

.....

.....

7

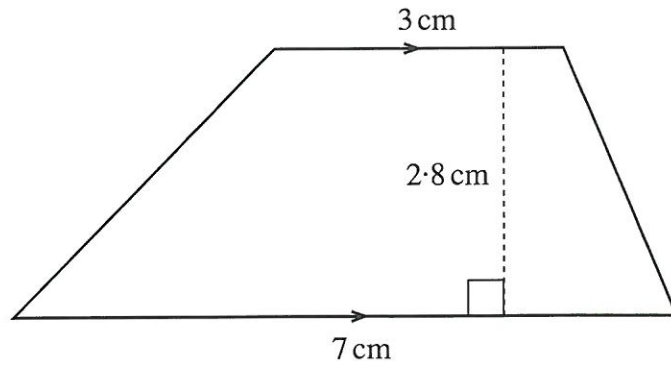


Diagram not drawn to scale.

Calculate the area of the trapezium shown in the diagram.

.....

.....

.....

.....

.....

[2]

8

In quadrilateral $PQRS$, the line PQ is parallel to SR , with $PQ = 16\text{ cm}$ and $SR = 18\text{ cm}$. The perpendicular distance between PQ and SR is 8 cm . Calculate the area of the quadrilateral $PQRS$.

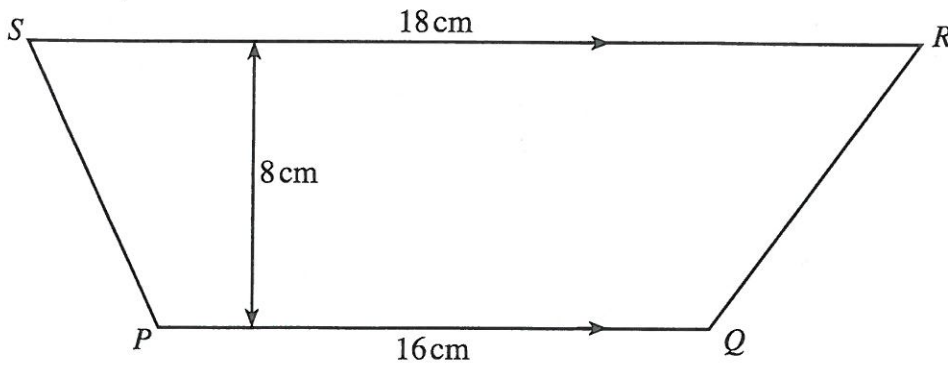


Diagram not drawn to scale.

.....

.....

.....

.....

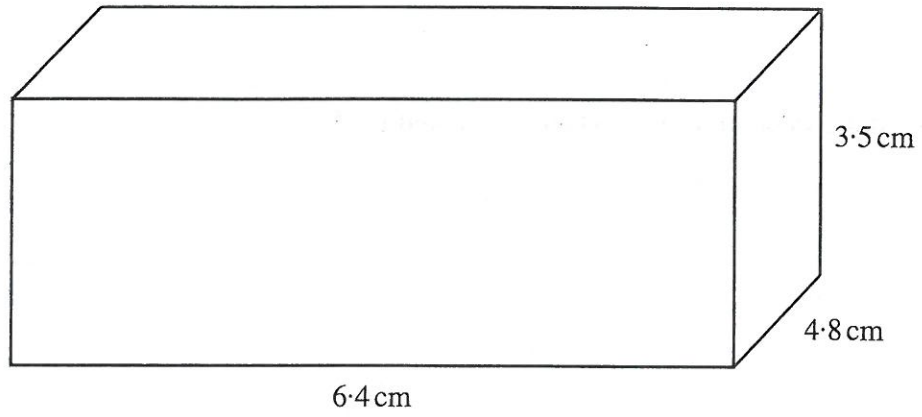
.....

.....

[2]

9

- (a) A solid cuboid measures 6.4 cm by 4.8 cm by 3.5 cm, as shown in the diagram. Calculate its volume, clearly stating the units of your answer.



.....

.....

.....

[3]

- (b) Calculate the total surface area of the cuboid.

.....

.....

.....

.....

[2]

10

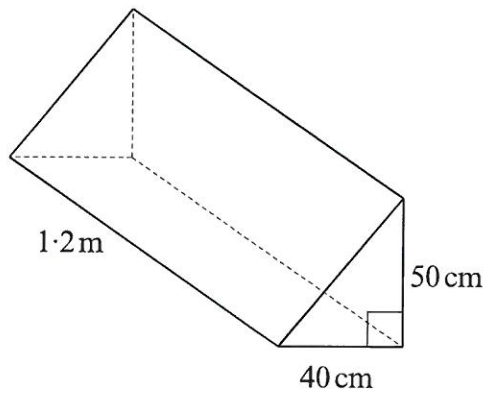


Diagram not drawn to scale

Calculate the volume of the triangular prism, giving your answer in cm^3 .

.....

.....

.....

.....

.....

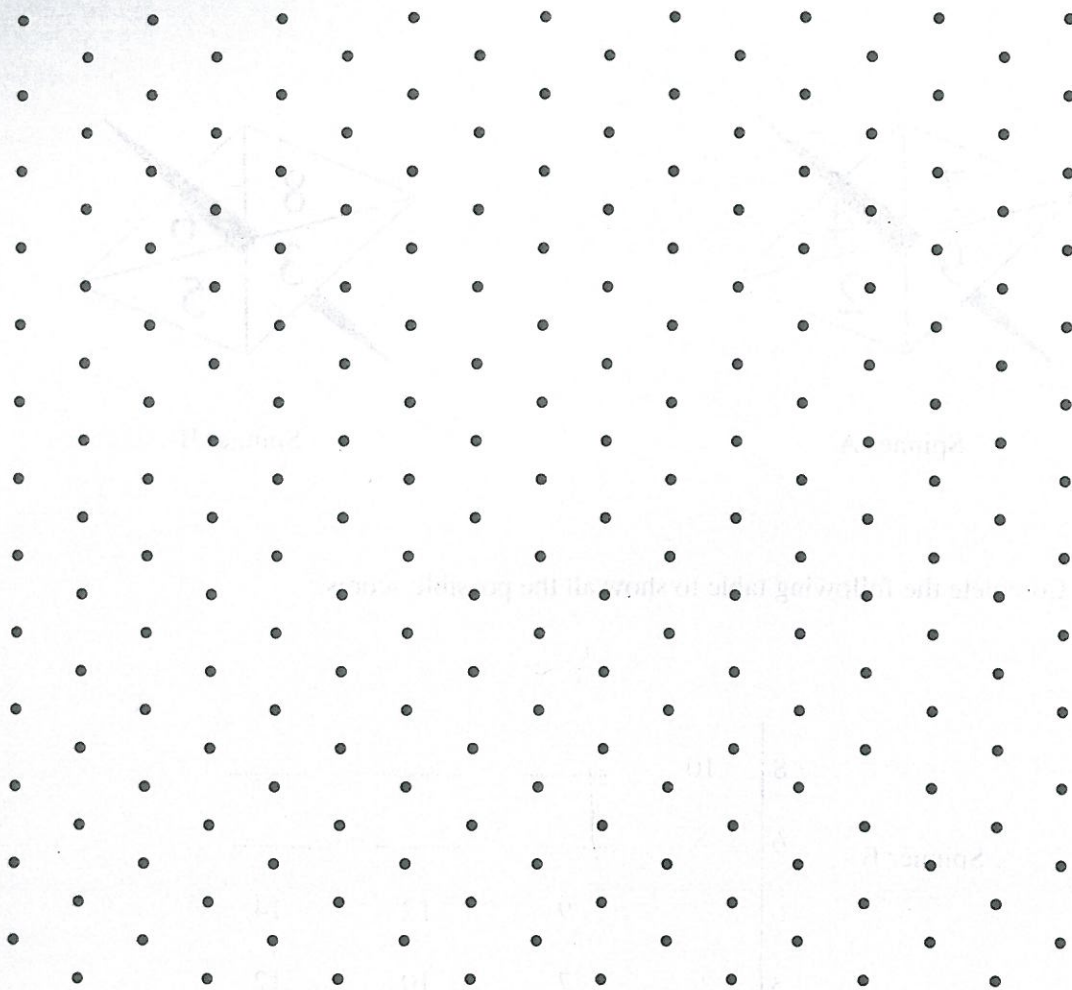
.....



11

(a) On the isometric grid below, draw a cuboid of dimensions 4 cm by 3 cm by 2 cm.

[2]



(b) A water tank has the shape of a cuboid with a base of length 30 cm and width 20 cm. Find the depth of water when 9000 cm^3 of water is poured into the tank.

.....

.....

.....

.....

.....

.....

[2]